

CHEMICAL CENTRIFUGAL PUMP

(MODEL NUMBER): H/T-4HHP SERIES 7



OPERATING LEVELS

| | | |
|-----------------|----------|------------------------|
| MIN FLOW | 200 GPM | 45.4 m ³ /h |
| MAX FLOW | 1300 GPM | 295 m ³ /h |
| DISCHARGE SIZE | 4" | 102 mm |
| SUCTION SIZE | 6" | 102 mm |
| SOLIDS HANDLING | 3" | 76.2mm mm |
| MAX SPEED | 1800 RPM | 1800 RPM |
| SHUT-OFF HEAD | 252' | 76.8 m |
| BEP HEAD | 175' | 53 m |
| BEP FLOW | 1300 GPM | 295 m ³ /h |
| BEP PERCENT | 78% | 78% |

STANDARD SPECIFICATIONS

Model - H/T-4HHP SERIES 7

Discharge Sizes - 4 inch

Standard Construction - Cast Iron, Class 30

Optional Construction - 416SS, CD4MCU, Ductile Iron

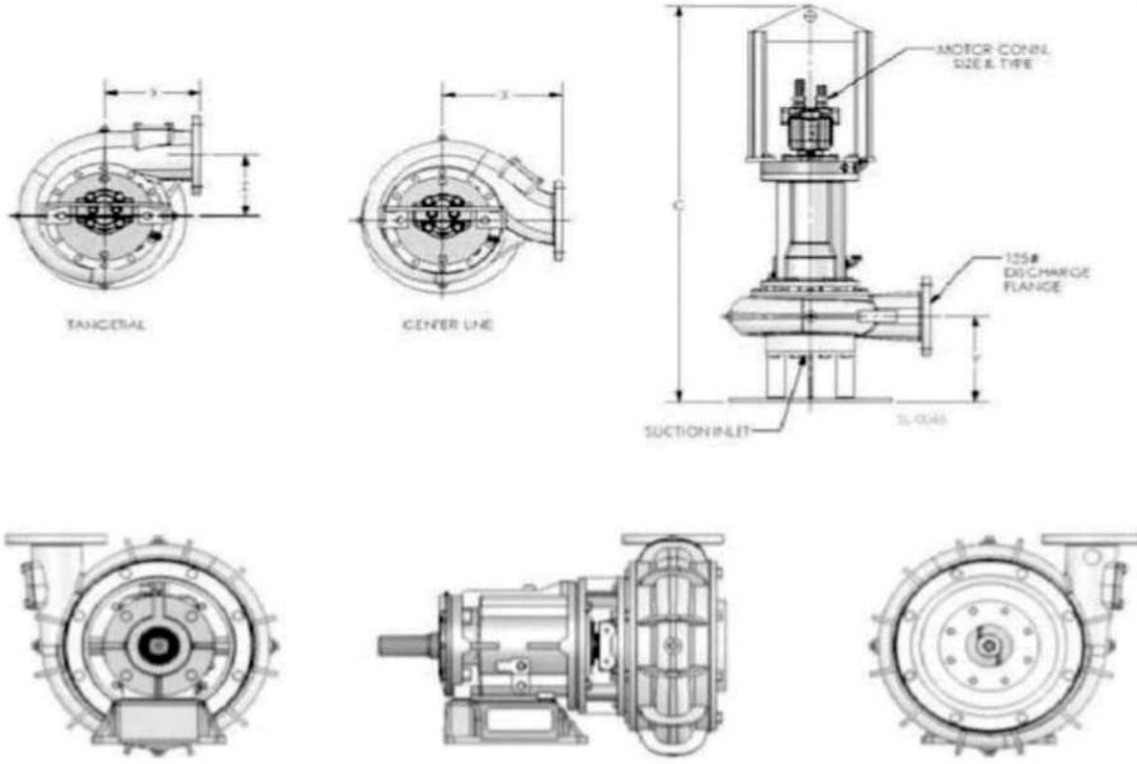
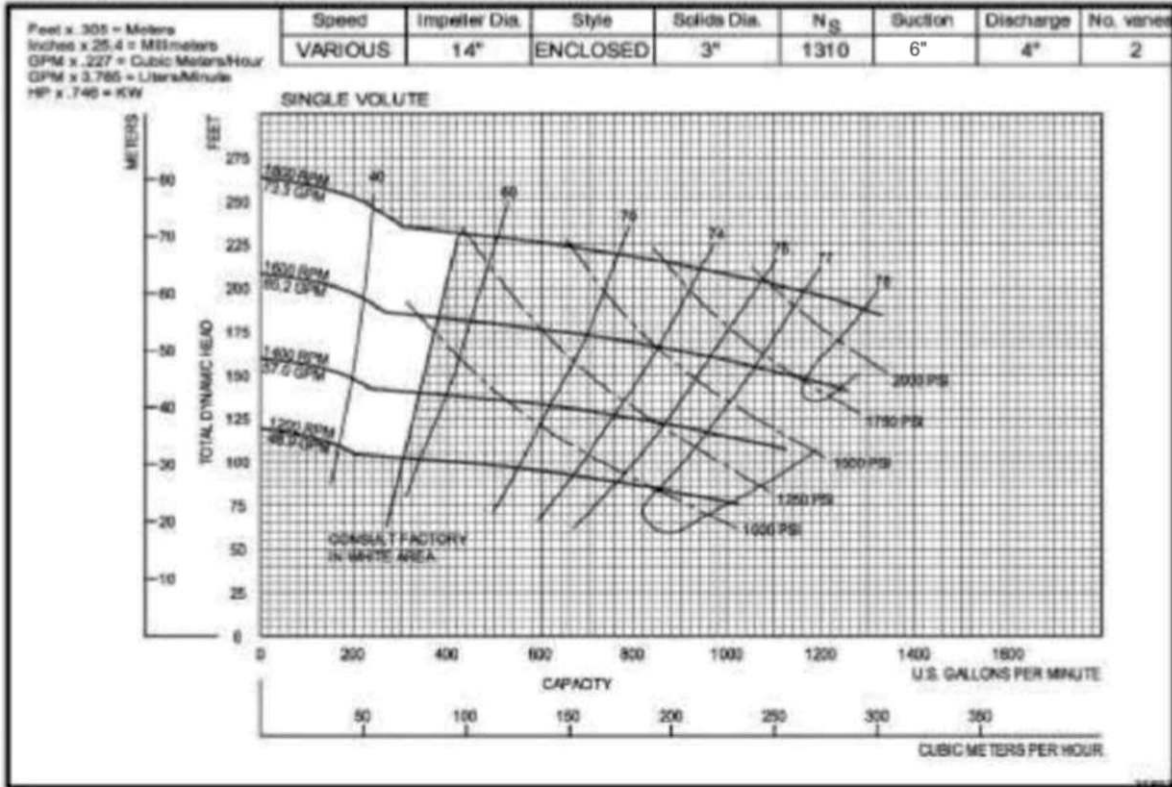
Permeo hydraulic drive

PERFORMANCE CHARACTERISTICS

- Premium Hydraulic Efficiencies, 78% BEP
- 3 inch or larger solid handling capability
- Total Dynamic Head: 25 to 275 feet
- Capacity: 800 to 1800 GPM

| PARTS | STANDARD MATERIAL (ALL IRON) | CD4MCU |
|-----------------|--------------------------------------|--------------------------------------|
| WEAR RING | CAST IRON | CD4MCU |
| IMPELLER | CAST IRON | CD4MCU |
| VOLUTE | DUCTILE IRON | CD4MCU |
| SHAFT | STRESSPROOF STEEL | 17-4PH |
| SHAFT SLEEVE | 416 STAINLESS STEEL | CD4MCU |
| BACKPLATE | CAST IRON | CD4MCU |
| MECHANICAL SEAL | TUNGSTEN CARBIDE VS. SILICON CARBIDE | TUNGSTEN CARBIDE VS. SILICON CARBIDE |
| BEARING FRAME | CAST IRON | CAST IRON |

4414T - HS18DB VARIABLE SPEED



| PUMP DIMENSIONS | | | | | | | | | | |
|-----------------|---------|------------|-------|-------|------|------|---|----------|----------------------------|---------|
| MODEL | FRAME | CONNECTION | | C | X | Y | Z | MOTOR | MOTOR CONN. SIZE & TYPE | WT (LB) |
| | | DISCH. | SUCT. | | | | | | | |
| H/T-4HHP | HS 18DB | 4 | 6 | 54.81 | 14.5 | 9.75 | - | M7600-20 | 1.25" SPLIT FLANGE CODE 61 | 820 |